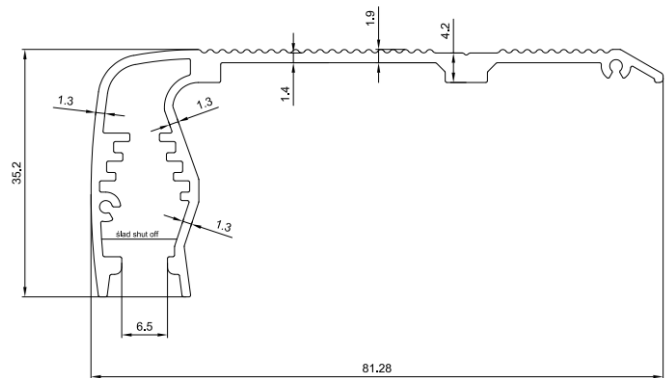




Basic aluminum anti-slip profile with downward step lighting. Its minimalist design, linear light, and internal cable routing allow for easy installation and full control over lighting intensity. The profile can be equipped with an illuminated marker – a number, letter, or symbol – available in standard or enlarged (KingKong) versions. An ideal choice for those who value safety, minimalism, and elegant aesthetics.

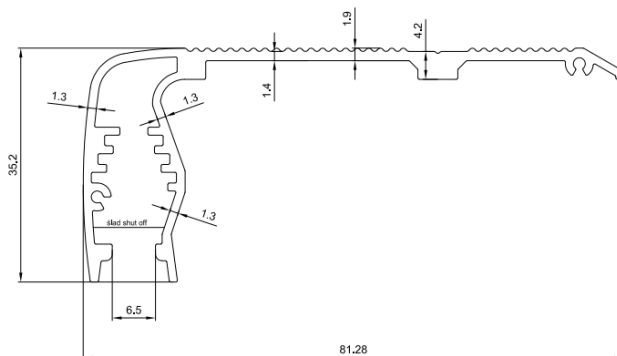
## Technical data

Material	aluminium
Profile colour	black, silver
Profile variant	- with row marker - without row marker
LedFLEX lighting	- 60 LED/m - 120 LED/m - RGB / RGBW / CCT
Illumination colours	- transparent - opal - blue - red - orange - any colour from RAL palette
Input voltage	12V or 24V <small>The power supply for stair profiles must be SELV.</small>
Power	1W/m; 2,4W/m; 6W/m; 9,6W/m; 14,4W/m; 16W/m
Control	DALI, KNX, DMX, Smartphone



- Easy installation - just add screws or adhesive
- No visible LED points
- Illuminated row marker

## Dimensions [mm]



## Montage

