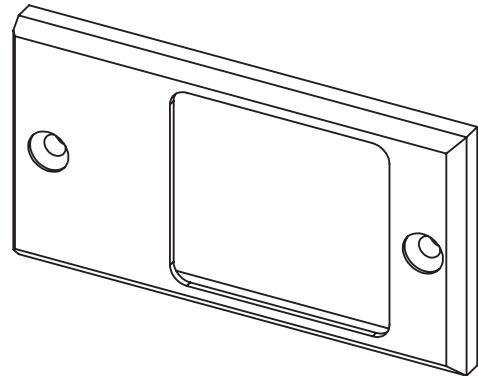


# STREAMLINE DUO

## Technical data

LEDs type	LedFlex SMD 3014
LEDs color:	optional (standard: 3000 K, 4000 K, 5000 K, red, blue, green, yellow, orange)
Input voltage	12 VDC / 24 VDC
protection class	III
Power	0,3 W
Power cabel	2x0,5 mm <sup>2</sup> length: 250 mm
Material	aluminium (black, silver)
IP code	IP20
Storage temperature	0 - 40°C



## Variants

- Assembly SOLO
- Profile Component

