



Our standard universal anti-slip profile that can be enhanced with illuminated markings, such as digits, letters, or other custom symbols. The profile available in many colours, guarantees a quality linear lighting effect and full illumination control.

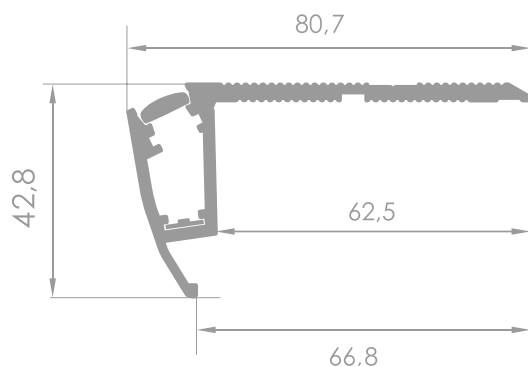
Technical data

Material	aluminium
Profile colour	black, silver
Profile variant	- with row marker - without row marker
LedFLEX lighting	- 30 LED/m - 60 LED/m - 120 LED/m
Colours	- transparent - opal - blue - red - orange - any colour from RAL palette
Input voltage	12V or 24V
Power	4,8 W/m; 9,6 W/m
Control	DALI, KNX, DMX, Smartphone



- Easy installation - just add screws or adhesive
- Adjustable end caps
- No visible LED points
- Illuminated row markings

Dimensions [mm]



Montage

